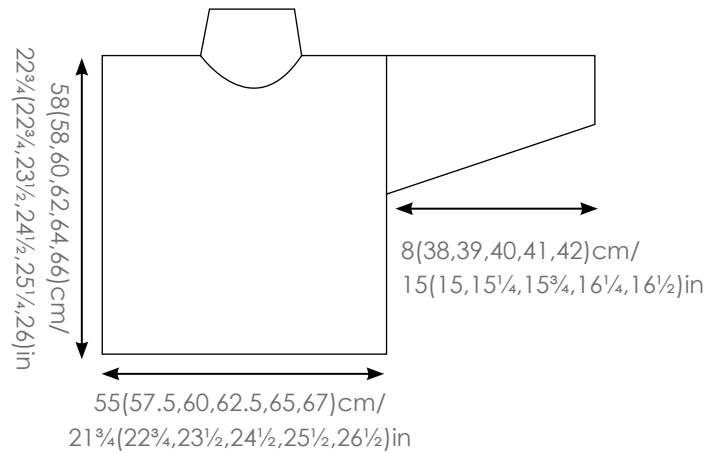




## SIZE SCHEMATIC



# Luna

## SIZES

To Fit Bust

71 – 76	81 – 86	91 – 97	102 – 107	112 – 117	122 – 127	cm
28 – 30	32 – 34	36 – 38	40 – 42	44 – 46	48 – 50	in

Actual Size

110	115	120	125	130	134	cm
43 <sup>1</sup> / <sub>4</sub>	45 <sup>1</sup> / <sub>4</sub>	47 <sup>1</sup> / <sub>4</sub>	49 <sup>1</sup> / <sub>4</sub>	51 <sup>1</sup> / <sub>4</sub>	52 <sup>3</sup> / <sub>4</sub>	in

## YARN

Rowan Felted Tweed Aran

13(14,15,16,16,17) x 50g balls of Rowan Felted

Tweed Aran (photographed in Scree)

## NEEDLES

5mm (no 6) (US 8) needles

## TENSION

16 stitches and 28 rows to 10cm/4in measured over garter stitch using 5mm (US 8) needles.

16 stitches and 23 rows to 10cm/4in measured over stocking stitch using 5mm (US 8) needles.

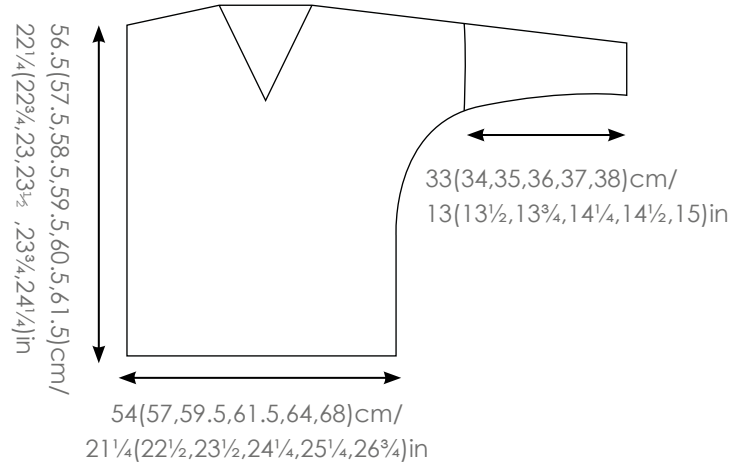
## EXTRAS

Stitch markers

Stitch holders



## SIZE SCHEMATIC



# Maple

## SIZES

To Fit Bust

71 – 76	81 – 86	91 – 97	102 – 107	112 – 117	122 – 127	cm
28 – 30	32 – 34	36 – 38	40 – 42	44 – 46	48 – 50	in

Actual Size

108	114	119	123	128	136	cm
42½	45	46¾	48½	50½	53¼	in

## YARN

Rowan Alpaca Classic  
15(16,16,17,17,18) x 25g balls of Rowan Alpaca Classic (photographed in shade Soft Satin 116)

## EXTRAS

Stitch markers  
Stitch holders

## NEEDLES

4.5mm (no 7) (US 7) needles

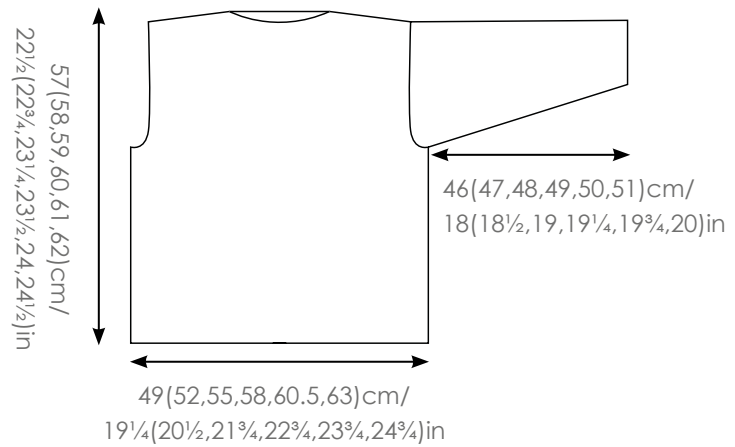
## TENSION

19 stitches and 26 rows to 10cm/4in measured over stocking stitch using 4.5mm (US 7) needles and holding 2 strands of Rowan Alpaca Classic yarn held together.

25 stitches and 29 rows to 10cm/4in measured over rib using 4.5mm (US 7) needles and holding 2 strands of Rowan Alpaca Classic yarn held together.



## SIZE SCHEMATIC



# Breeze

## SIZES

To Fit Bust

71 – 76	81 – 86	91 – 97	102 – 107	112 – 117	122 – 127	cm
28 – 30	32 – 34	36 – 38	40 – 42	44 – 46	48 – 50	in

Actual Size

98	104	110	116	121	126	cm
38½	41	43¾	45¾	47¾	49½	in

## YARN

Rowan Kid Classic

10 (11,11,12,12,13) x 50g balls of Rowan Kid Classic  
(photographed in shade Drought 876)

## NEEDLES

4.5mm (no 7) (US 7) and 5mm (no 6) (US 8) needles

## TENSION

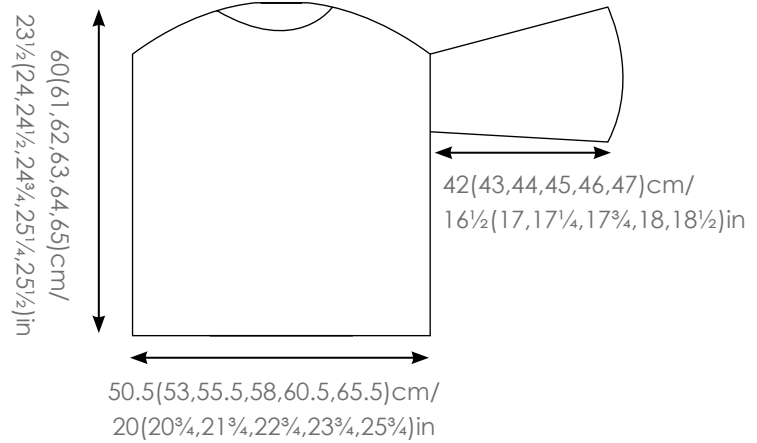
28 stitches and 26 rows to 10cm/4in measured  
over patt using 5mm (US 8) needles.

## EXTRAS

Cable needle  
Stitch holders



## SIZE SCHEMATIC



# Orla

## SIZES

To Fit Bust

71 – 76	81 – 86	91 – 97	102 – 107	112 – 117	122 – 127	cm
28 – 30	32 – 34	36 – 38	40 – 42	44 – 46	48 – 50	in

Actual Size

101	106	110	116	121	131	cm
39¾	41¾	43¾	45¾	47¾	51½	in

## YARN

Rowan Alpaca Soft DK

12(12,13,14,14,15) x 50g balls of Rowan Alpaca Soft DK (photographed in shade Rainy Day 210)

## NEEDLES

4mm (no 8) (US 6) needles

## TENSION

16 stitches and 22 rows to 10cm/4in measured over pattern using 4mm (US 6) needles.

## EXTRAS

Stitch holders

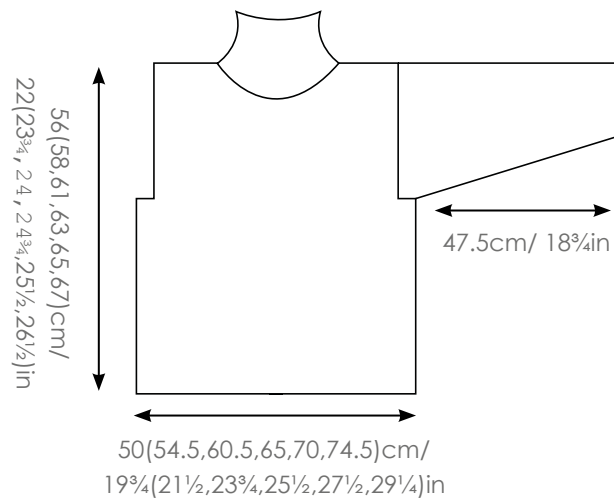
Stitch markers

## PATTERN NOTE

When working in patt, the YO above slipped stitch is not counted as a stitch throughout.



## SIZE SCHEMATIC



# Bramble

## SIZES

To Fit Bust

71 – 76	81 – 86	91 – 97	102 – 107	112 – 117	122 – 127	cm
28 – 30	32 – 34	36 – 38	40 – 42	44 – 46	48 – 50	in

Actual Size

100	109	121	130	140	149	cm
39 <sup>1</sup> / <sub>4</sub>	43	47 <sup>3</sup> / <sub>4</sub>	51 <sup>1</sup> / <sub>4</sub>	55	58 <sup>3</sup> / <sub>4</sub>	in

## YARN

### Rowan Brushed Fleece

A - 4(4,4,5,5,5) x 50g

(photographed in shade Peat 262)

B - 3(3,3,4,4,4) x 50g

(photographed in shade Crag 253)

C - 1(1,1,2,2,2) x 50g

(photographed in shade Cairn 263)

## NEEDLES

5mm (no 6) (US 8) and 6mm (no 4) (US 10) needles

## TENSION

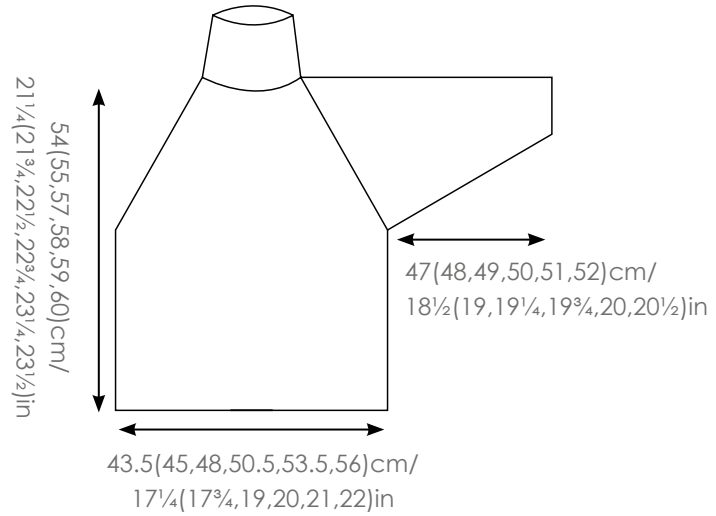
13 stitches and 19 rows to 10cm/4in measured over stocking stitch using 6mm (US 10) needles.

## EXTRAS

Stitch holders



#### SIZE SCHEMATIC



## Clover

#### SIZES

To Fit Bust

71 – 76	81 – 86	91 – 97	102 – 107	112 – 117	122 – 127	cm
28 – 30	32 – 34	36 – 38	40 – 42	44 – 46	48 – 50	in

Actual Size

87	90	96	101	107	112	cm
34 1/4	35 1/2	37 3/4	39 3/4	42 1/4	44	in

#### YARN

Rowan Cocoon

7(7,8,8,9,9) x 100g balls of Rowan Cocoon  
(pictured in shade Misty Blue 827)

#### NEEDLES

5mm (no 6) (US 8) and 6mm (no 4) (US 10) needles.

#### TENSION

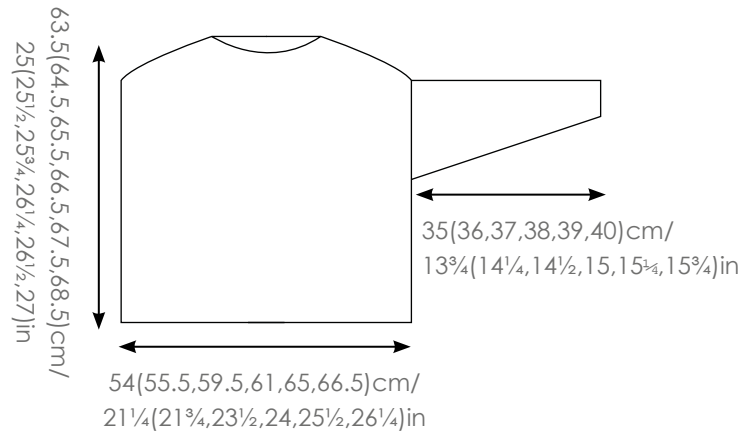
14 stitches and 20 rows to 10cm/4in measured  
over stocking stitch using 6mm (US 10) needles.

#### EXTRAS

Stitch holders  
Stitch markers



## SIZE SCHEMATIC



# Maize

## SIZES

To Fit Bust

71 – 76	81 – 86	91 – 97	102 – 107	112 – 117	122 – 127	cm
28 – 30	32 – 34	36 – 38	40 – 42	44 – 46	48 – 50	in

Actual Size

108	111	119	122	130	133	cm
42½	43¾	46¾	48	51¼	52¼	in

## YARN

Rowan Cashmere Tweed

22(23,24,25,26,27) x 25g balls of Rowan Cashmere  
Tweed (photographed in Oats 001)

## NEEDLES

4mm (no 8) (US 6) needles

## TENSION

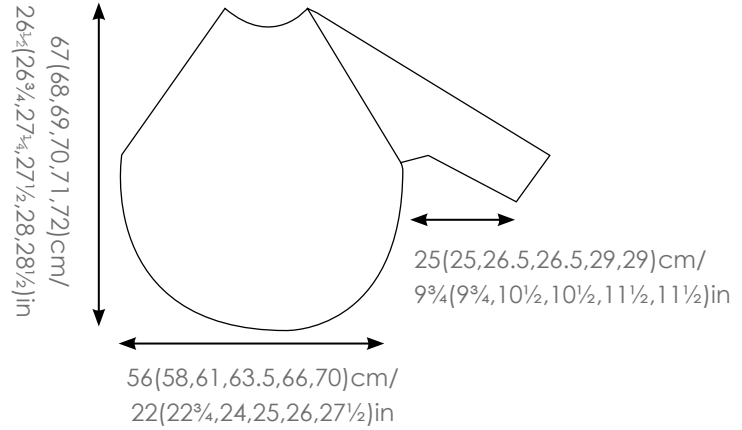
35 stitches and 38 rows to 10cm/4in measured  
over patt using 4mm (US 6) needles.

## EXTRAS

Cable needle  
Stitch holders



## SIZE SCHEMATIC



# Amber

## SIZES

To Fit Bust

71 – 76	81 – 86	91 – 97	102 – 107	112 – 117	122 – 127	cm
28 – 30	32 – 34	36 – 38	40 – 42	44 – 46	48 – 50	in

Actual Size

112	116	122	127	132	140	cm
44	45¾	48	50	52	55	in

## YARN

### Rowan Felted Tweed

7(7,8,8,9,9) x 50g balls of Rowan Felted Tweed  
 (photographed in shade Alabaster 197)

## NEEDLES

3.75mm (no 9) (US 5) needles

## TENSION

22 stitches and 30 rows to 10cm/4in measured  
 over stocking stitch using 3.75mm (US 5) needles.

## EXTRAS

- Stitch holders
- 4 blue stitch markers
- 8 red stitch markers
- 8 green stitch markers