

R O W A N



# Scottie

By Martin Storey



# R O W A N

## Scottie

by Martin Storey



### SIZE

	1-2	2-3	3-4	4-5	years
To fit chest					
	56	58	61	64	cm
	22	23	24	25	in

### YARN

#### Originally knitted in RYC Cashsoft Baby DK

A Crocus 808					
	2	3	3	3	x 50gm
B Horseradish 801					
	1	1	1	1	x 50gm
C Pixie 807					
	1	1	1	1	x 50gm
D Cloud 805					
	2	2	2	2	x 50gm

#### Can be substituted for Baby Merino Silk DK

A Clay 679					
	2	3	3	3	x 50gm
B Straw 671					
	1	1	1	1	x 50gm
C Shell Pink 674					
	1	1	1	1	x 50gm
D Sky 676					
	2	2	2	2	x 50gm

### NEEDLES

- 1 pair 3¼mm (no 10) (US 3) needles
- 1 pair 4mm (no 8) (US 6) needles

**BUTTONS** - 6 x small buttons

### TENSION

25 sts and 29 rows to 10 cm measured over patterned stocking stitch using 4mm (US 6) needles.

### BACK

Using 3¼mm (US 3) needles and yarn A cast on 67 [69:73:77] sts.

**Row 1 (RS):** K1, \*P1, K1, rep from \* to end.

**Row 2:** As row 1.

These 2 rows form moss st.

Cont in rib for a further 3 rows, ending with **WS** facing for next row.

**Row 6 (WS):** Moss st 5 [3:5:2] sts, M1, \*moss st 8 [7:7:8] sts, M1, rep from \* to last 6 [3:5:3] sts, moss st to end.

75 [79:83:87] sts.

Change to 4mm (US 6) needles.

Beg and ending rows as indicated and repeating the 61 row patt repeat throughout, using the **fairisle** technique as described on the information page, cont in patt from chart as folls:

Work straight until back meas 16 [17:19:20] cm, ending with RS facing for next row.

### Shape armholes

Keeping patt correct, cast off 3 sts at beg of next 2 rows.

69 [73:77:81] sts.

Dec 1 st at each end of next 3 rows. 63 [67:71:75] sts.

Noting that on second rep of chart RS rows will become WS rows and vice versa, cont straight in patt until armhole meas 14 [15:15:16] cm, ending with RS facing for next row.

### Shape shoulders and back neck

**Next row (RS):** Cast off 9 [10:10:11] sts, patt until there are 10 [11:12:13] sts on right needle and turn, leaving rem sts on a holder.



Work each side of neck separately.  
Dec 1 st at beg of next row.  
Cast off rem 9 [10: 11: 12] sts.  
With RS facing, rejoin yarns to rem sts, cast off centre 25 [25: 27: 27] sts, patt to end.  
Complete to match first side, reversing shapings.

### LEFT FRONT

Using 3¼mm (US 3) needles and yarn A cast on 39 [39: 41: 43] sts.  
Work in moss st as given for back for 5 rows, ending with **WS** facing for next row.

**Row 6 (WS):** Moss st 5 sts and slip these 5 sts onto a holder, moss st 3 [2: 3: 4] sts, M1, \*moss st 9 [6: 6: 6] sts, M1, rep from \* to last 4 [2: 3: 4] sts, moss st to end.  
38 [40: 42: 44] sts.

Change to 4mm (US 6) needles.

Beg and ending rows as indicated, cont in patt from chart as folls:

Work straight until left front matches back to beg of armhole shaping, ending with RS facing for next row.

### Shape armhole

Keeping patt correct, cast off 3 sts at beg of next row.

35 [37: 39: 41] sts.

Work 1 row.

Dec 1 st at armhole edge of next 3 rows. 32 [34: 36: 38] sts.

Cont straight until 7 rows less have been worked than on back to beg of shoulder shaping, ending with **WS** facing for next row.

### Shape neck

Keeping patt correct, cast off 8 [8: 9: 9] sts at beg of next row.  
24 [26: 27: 29] sts.

Dec 1 st at neck edge on next 6 rows, ending with RS facing for next row.

18 [20: 21: 23] sts.

### Shape shoulder

Cast off 9 [10: 10: 11] sts at beg of next row.

Work 1 row.

Cast off rem 9 [10: 11: 12] sts.

### RIGHT FRONT

Using 3¼mm (US 3) needles and yarn A cast on 39 [39: 41: 43] sts.  
Work in moss st as given for back for 4 rows, ending with RS facing for next row.

**Row 5 (RS):** K1, P2tog, yrn (to make first buttonhole), moss st to end.

**Row 6:** Moss st 3 [2: 3: 4] sts, M1, \*moss st 9 [6: 6: 6] sts, M1, rep from \* to last 9 [7: 8: 9] sts, moss st 4 [2: 3: 4] sts and turn, leaving rem 5 sts on a holder. 38 [40: 42: 44] sts.

Change to 4mm (US 6) needles.

Beg and ending rows as indicated, cont in patt from chart and complete to match left front, reversing shapings.

### SLEEVES

Using 3¼mm (US 3) needles and yarn A cast on 37 [39: 39: 41] sts.  
Work in moss st as given for back for 5 rows, ending with **WS** facing for next row.

**Row 6 (WS):** Moss st 3 [2: 2: 3] sts, M1, \*moss st 6 [7: 7: 7] sts,

M1, rep from \* to last 4 [2: 2: 3] sts, moss st to end.

43 [45: 45: 47] sts.

Change to 4mm (US 6) needles.

Beg and ending rows as indicated, cont in patt from chart as folls:

Inc 1 st at each end of 3rd and foll 5 [4: 2: 0] alt rows, then on every foll 4th row until there are 69 [73: 73: 77] sts, taking inc sts into patt.

Cont straight until sleeve meas 20 [22: 24: 27] cm, ending with RS facing for next row.

### Shape top

Keeping patt correct, cast off 3 sts at beg of next 2 rows.

63 [67: 67: 71] sts.

Dec 1 st at each end of next and foll 2 alt rows, then on foll row, ending with RS facing for next row.

Cast off rem 55 [59: 59: 63] sts.

### MAKING UP

Press as described on the information page.

Join both shoulder seams using back stitch, or mattress stitch if preferred.

### Button band

Slip 5 sts from left front holder onto 3¼mm (US 3) needles and rejoin yarn A with RS facing.

Cont in moss st until band, when slightly stretched, fits up left front opening edge to neck shaping, ending with RS facing for next row.

Break yarn and leave sts on a holder.

Slip st band in place.

Mark positions for 6 buttons on this band – first to come level with buttonhole already worked in right front, last to come just above neck shaping, and rem 4 buttons evenly spaced between.

### Buttonhole band

Slip 5 sts from right front holder onto 3¼mm (US 3) needles and rejoin yarn A with **WS** facing.

Cont in moss st until band, when slightly stretched, fits up right front opening edge to neck shaping, ending with RS facing for next row and with the addition of a further 4 buttonholes to correspond with positions marked for buttons worked as folls:

**Buttonhole row (RS):** K1, P2tog, yrn, P1, K1.

When band is complete, do NOT break off yarn.

Slip st band in place.

### Neckband

With RS facing, using 3¼mm (US 3) needles and yarn A, moss st 5 sts from buttonhole band, pick up and knit 19 [19: 20: 20] sts up right side of neck, 25 [25: 27: 27] sts from back, 19 [19: 20: 20] sts down left side of neck, then moss st 5 sts of button band. 73 [73: 77: 77] sts.

Keeping moss st correct as set by bands, work 1 row in moss st across all sts.

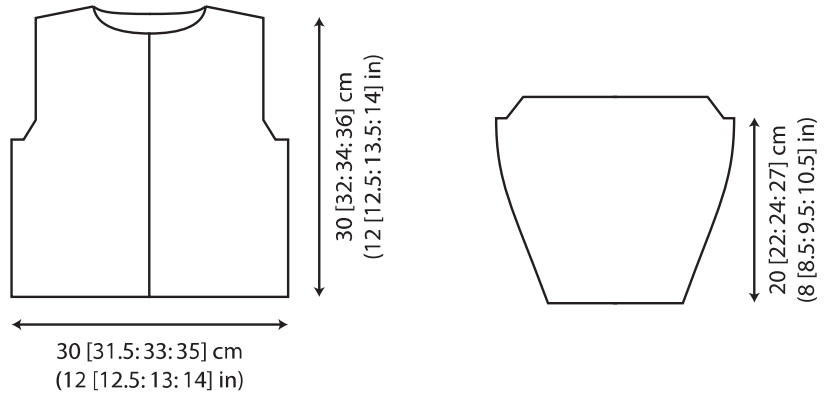
**Row 2 (RS):** K1, P2tog, yrn (to make 6th buttonhole), moss st to end.

Work in moss st for a further 2 rows.

Cast off in moss st (on **WS**).

Set in sleeves using the shallow set-in method.

Using yarn C and photograph as a guide, embroider chain st collars and lazy daisy st ears onto all dog motifs.



Key ■ A ■ B ■ C ■ D

