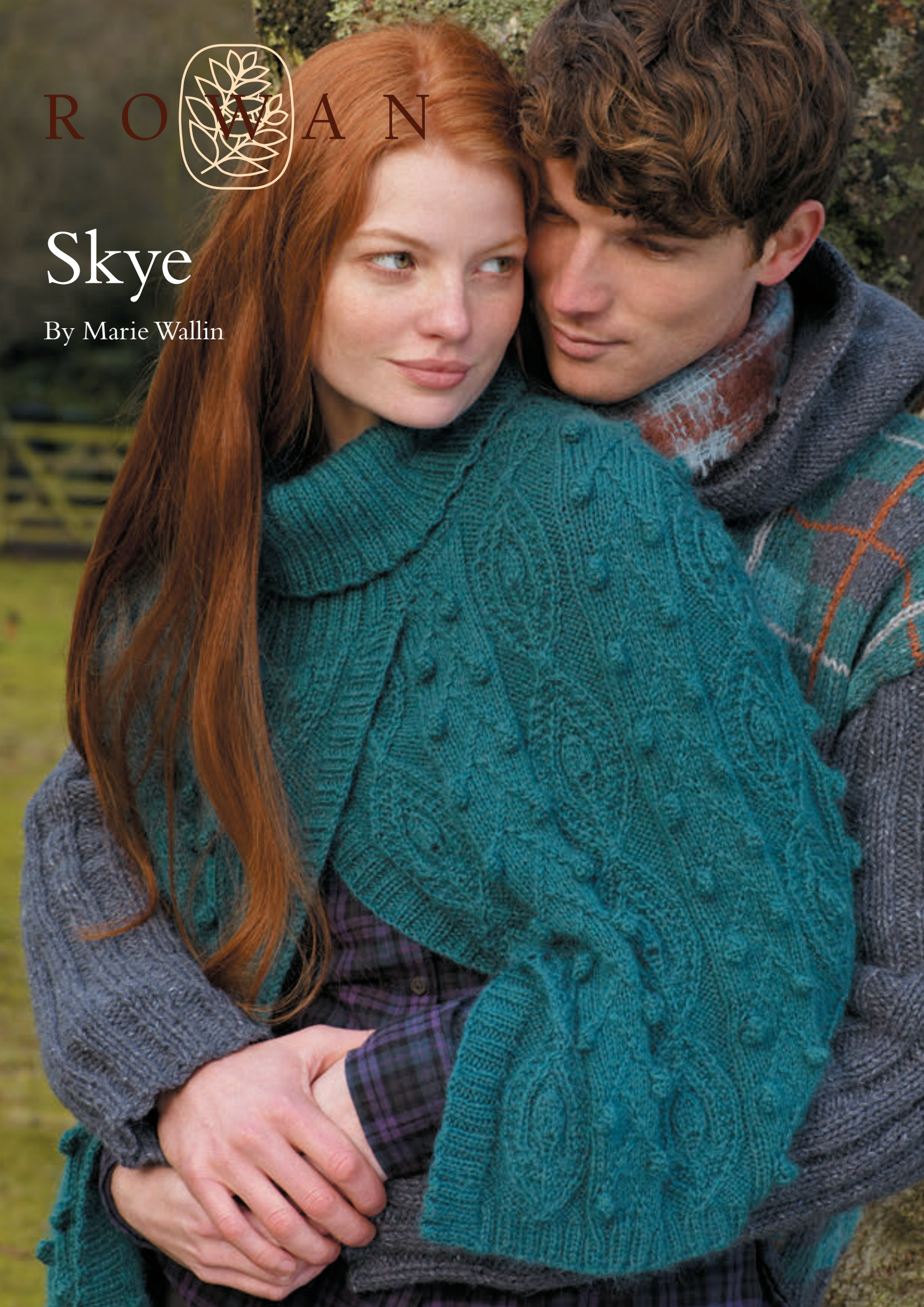


R O W A N



Skye

By Marie Wallin





Skye

by Marie Wallin



S M L XL XXL
To fit bust
81-86 91-97 102-107 112-117 122-127 cm
32-34 36-38 40-42 44-46 48-50 in

Rowan Kid Classic

9 10 10 11 12 x 50gm
(photographed in Canard 871)

NEEDLES

1 pair 4mm (no 8) (US 6) needles
1 pair 4¹/₂mm (no 7) (US 7) needles
4mm (no 8) (US 6) circular needle
Cable needle

TENSION

24 sts and 28 rows to 10 cm measured over patt using 4¹/₂mm (US 7) needles.

SPECIAL ABBREVIATIONS

Tw3 = on RS rows: slip next 2 sts onto cn and leave at back of work, K1, then K2 from cn, or on WS rows: slip next 2 sts onto cn and leave at back of work, P1, then P2 from cn; **C2R** = on RS rows: slip next st onto cn and leave at back of work, K1, then K1 from cn; on WS rows: slip next st onto cn and leave at back of work, P1, then P1 from cn; **C2L** = on RS rows: slip next st onto cn and leave at front of work, K1, then K1 from cn; on WS rows: slip next st onto cn and leave at front of work, P1, then P1 from cn; **MB** = (K1, yfwd, K1, yfwd, K1) all into next st, turn, K5, turn, P5, turn, K1, sl 1, K2tog, pss0, K1, turn, P3tog; **cn** = cable needle.

BACK

Using 4mm (US 6) needles cast on 214 [226: 238: 254: 270] sts.

Row 1 (RS): K2, *P2, K2, rep from * to end.

Row 2: P2, *K2, P2, rep from * to end.

These 2 rows form rib.

Work in rib for a further 7 rows, dec [dec: inc: dec: inc] 1 st at end of last row and ending with **WS** facing for next row.

213 [225: 239: 253: 271] sts.

Change to 4¹/₂mm (US 7) needles.

Beg and ending rows as indicated, noting that chart row 1 is a **WS** row and repeating the 60 row patt repeat throughout, now work in patt from chart as follows:

Work 25 rows, ending with RS facing for next row.

Keeping patt correct, dec 1 st at each end of next and 2 foll 4th rows, then on foll 38 [40: 43: 44: 45] alt rows, then on foll 19 [21: 21: 23: 27] rows, ending with RS facing for next row. 93 [97: 105: 113: 121] sts.

Shape shoulders and back neck

Next row (RS): Cast off 10 [11: 12: 14: 16] sts, patt until there are 13 [14: 16: 18: 19] sts on right needle and turn, leaving rem sts on a holder.

Work each side of neck separately.

Cast off 3 sts at beg of next row.

Cast off rem 10 [11: 13: 15: 16] sts.

With RS facing, rejoin yarn to rem sts, cast off centre 47 [47: 49: 49: 51] sts, patt to end.

Complete to match first side, reversing shapings.

LEFT FRONT

Using 4mm (US 6) needles cast on 119 [123: 131: 139: 147] sts.

Row 1 (RS): K2, *P2, K2, rep from * to last st, K1.

Row 2: K1, P2, *K2, P2, rep from * to end.

These 2 rows form rib.

Work in rib for a further 7 rows, dec 2 [0: 1: 2: 1] sts evenly across last row and ending with **WS** facing for next row.

117 [123: 130: 137: 146] sts.

Change to 4¹/₂mm (US 7) needles.

Beg and ending rows as indicated and noting that chart row 1 is a **WS** row, now work in patt from chart as follows:

Work 25 rows, ending with RS facing for next row.

Keeping patt correct, dec 1 st at beg of next and 2 foll 4th rows, then on foll 38 [40: 43: 44: 45] alt rows, then at same edge on foll 2 [4: 2: 4: 6] rows, ending with **WS** facing for next row. 74 [76: 82: 86: 92] sts.

Shape neck

Keeping patt correct, cast off 24 sts at beg and dec 1 st at end of next row.

49 [51: 57: 61: 67] sts.

Place marker on 11th cast-off st.

Work 16 [16: 18: 18: 20] rows, dec 1 st at neck edge of next 11 rows, then on foll 2 [2: 3: 3: 4] alt rows **and at same time** dec 1 st at side seam edge of every row, ending with RS facing for next row. 20 [22: 25: 29: 32] sts.

Shape shoulder

Cast off 10 [11: 12: 14: 16] sts at beg of next row.

Work 1 row.

Cast off rem 10 [11: 13: 15: 16] sts.

RIGHT FRONT

Using 4mm (US 6) needles cast on 119 [123: 131: 139: 147] sts.

Row 1 (RS): K3, *P2, K2, rep from * to end.

Row 2: P2, *K2, P2, rep from * to last st, K1.

These 2 rows form rib.

Work in rib for a further 7 rows, dec 2 [0: 1: 2: 1] sts evenly across last row and ending with **WS** facing for next row.

117 [123: 130: 137: 146] sts.

Change to 4¹/₂mm (US 7) needles.

Beg and ending rows as indicated and noting that chart row 1 is a **WS** row, now work in patt from chart as folls:

Work 25 rows, ending with RS facing for next row.

Keeping patt correct, dec 1 st at end of next and 2 foll 4th rows, then on foll 38 [40: 43: 44: 45] alt rows, then at same edge on foll 2 [4: 2: 4: 6] rows, ending with **WS** facing for next row. 74 [76: 82: 86: 92] sts.

Complete to match left front, reversing shapings.

MAKING UP

Press as described on the information page.

Join both shoulder and side seams using back stitch, or mattress stitch if preferred.

Front bands (both alike)

With RS facing and using 4mm (US 6) needles, pick up and knit 112 [116: 120: 124: 128] sts evenly along front opening edge, between cast-on edge and neck shaping.

Row 1 (WS): K1, P2, *K2, P2, rep from * to last st, K1.

Row 2: K3, *P2, K2, rep from * to last st, K1.

Rep last 2 rows 3 times more, ending with **WS** facing for next row.

Cast off in rib (on **WS**).

Lay right front over left front so that markers match at centre front neck and sew neck cast-off edges together.

Collar

With RS facing and using 4mm (US 6) circular needle, pick up and knit 20 [20: 21: 23: 24] sts down left side of neck, 28 sts from front (picking up sts through both layers), 20 [20: 21: 23: 24] sts up right side of neck, then 52 [52: 54: 54: 56] sts from back.

120 [120: 124: 128: 132] sts.

Round 1 (RS): *K2, P2, rep from * to end.

Rep this round until collar meas 11 cm from pick-up round.

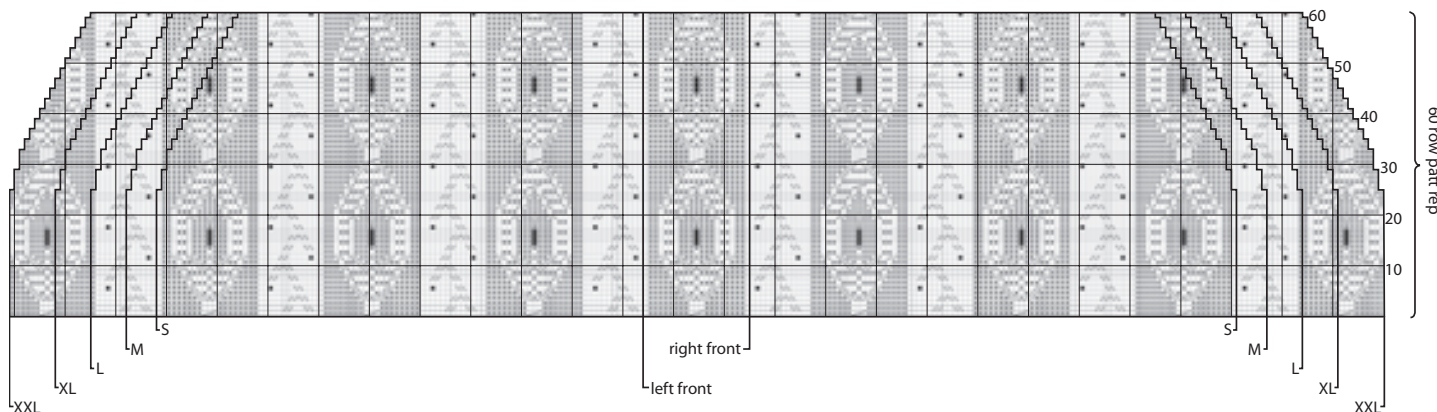
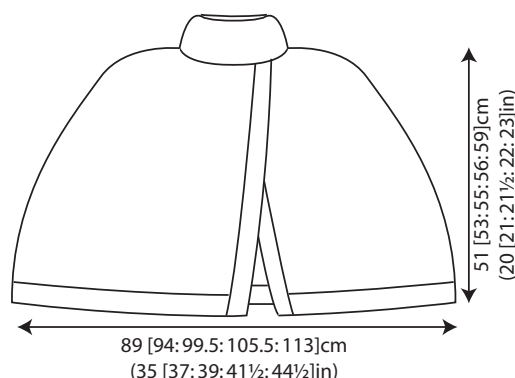
Next round: *K2, P1, M1P, P1, rep from * to end. 150 [150: 155: 160: 165] sts.

Next round: *K2, P3, rep from * to end.

Rep last round until collar meas 22 cm from pick-up round.

Cast off in rib.

See information page for finishing instructions.



key

- | | |
|--|---|
| <input type="checkbox"/> K on RS, P on WS | <input checked="" type="checkbox"/> (K1, yfwd, K1, yfwd, K1) all into next st |
| <input checked="" type="checkbox"/> P on RS, K on WS | <input checked="" type="checkbox"/> K5 on RS rows, P5 on WS rows |
| <input checked="" type="checkbox"/> K1 tbl | <input checked="" type="checkbox"/> sl1, K1, pss0, K1, K2tog |
| <input checked="" type="checkbox"/> TW3 | <input checked="" type="checkbox"/> P3 |
| <input checked="" type="checkbox"/> C2R | <input checked="" type="checkbox"/> sl1, K2tog, pss0 |
| <input checked="" type="checkbox"/> C2L | <input checked="" type="checkbox"/> MB |

STORE
LOCATOR

INFORMATION
PAGES

If you're having difficulty viewing or printing our PDF patterns, please ensure you have the latest version of Adobe Acrobat Reader. Download the latest version here; <http://get.adobe.com/reader/>

All right reserved. Reproduction in whole or any part of all material, including illustrations and designs, in this publication/pattern is strictly forbidden and is sold on the condition that it is used for non commercial purposes. No part may be reproduced, stored in a retrieval system, or transmitted in any form or by any means electronic, electrostatic, magnetic tape, mechanical, photocopying, recording or otherwise without prior permission of the copyright owners having been given in writing. Yarn quantities are approximate and are based on average requirements. Images and shades are for guidance only as colours may not display accurately on screen or in printed format. Contact your local stockist to view a fringed (not digital reproduction) yarn shade card.

ROWAN